

Control- and isolating transformer STU 160/2x115



Picture shows STU 160/24

Advantages

| |
|--|
| Universal input voltages 210 to 540 Vac |
| Very good switch-on behaviour thanks to reduced starting currents |
| High power density due to a compact construction design |
| Very good corrosion protection and low noise thanks to vacuum impregnation |
| Contact protected screw connection terminals complying with UVV BGV A3 |
| Simple mounting thanks to robust metal footplate with oval slots |

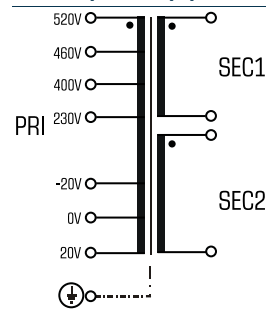
Applications

As a control transformer for the electrical isolation of the input and output sides. The construction of the transformer to supply control systems according to VDE 0113 is designed.

As an isolating transformer for the safe electrical isolation of the input and output sides. The transformer may be used to set up protective separation as a protective measure in accordance with VDE 0100.

As a safety isolating transformer for the safe electrical isolation of the input and output sides. The transformer is suitable for creating SELV and PELV circuits because of the limit on the output voltage.

Sample application



Standards

Control transformer
to: VDE 0570 Teil 2-2, DIN EN 61558-2-2, EN 61558-2-2, IEC 61558-2-2,
UL 5085-1/-2, CSA 22.2 No.66
Isolating transformer
to: VDE 0570 Part 2-4, DIN EN 61558-2-4, EN 61558-2-4, IEC 61558-2-4,
UL 5085-1/-2, CSA 22.2 No.66

Approvals



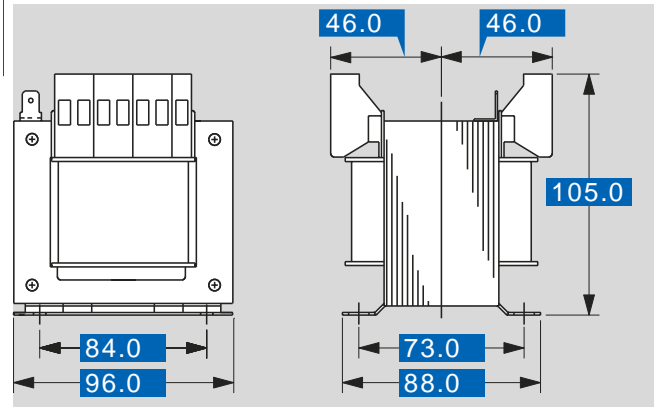
VDE, UL 5085-1/-2, CSA 22.2 No.66



Control- and isolating transformer STU 160/2x115

| Type | STU 160/2x115 |
|--|---|
| Electrical data | |
| Input | |
| Rated input voltage | 210 Vac/230 Vac/250 Vac/ 380 Vac/400 Vac/420 Vac/ 440 Vac/460 Vac/480 Vac/ 500 Vac/520 Vac/540 Vac |
| Rated frequency | 50 - 60 Hz |
| Output | |
| Rated output voltage | 2 x 115 Vac |
| Rated power VDE (DB cos phi=1) | 160 VA |
| Rated power VDE (KB cos phi=0.5) | 390 VA |
| No-load voltage (app. x factor) | 1.09 |
| Efficiency | 87.0 % |
| UL Derating | - |
| Standards | |
| Classification | Control- and isolating transformer |
| Approvals | |
| Approvals | cURus, VDE |
| Environment | |
| Ambient temperature max. | 40 °C |
| Type of cooling | self-cooling |
| Safety and protection | |
| Type | Open type |
| Insulation class | VDE=B, UL=class 105 |
| Protection index | IP 00 |
| Safety class (prepared) | I |
| Short circuit strength | non-short-circuit proof |
| PRI Fusing recommendation by circuit breaker with tripping characteristic type 20 x I _{rated} related to set) | |
| Setting range 230 ±20 Vac | 0.63 - 1.00 A |
| Setting value 230 ±20 Vac | 0.80 A |
| Setting range 400 ±20 Vac | 0.40 - 0.63 A |
| Setting value 400 ±20 Vac | 0.50 A |
| Setting range 460 ±20 Vac | 0.40 - 0.63 A |
| Setting value 460 ±20 Vac | 0.40 A |
| Setting range 520 ±20 Vac | 0.25 - 0.40 A |
| Setting value 520 ±20 Vac | 0.30 A |
| Order numbers | |
| Order Number | STU 160/2x115 |

| Type | STU 160/2x115 |
|------------------------------|------------------------------------|
| Mechanical data | |
| Terminal and mounting | |
| Fixing method | Base plate |
| Fixing screws | M5 |
| Terminals | Screw-type terminals, PE 6.3 x 0.8 |
| Measures and weights | |
| Weight | 2.8 kg |



Subject to change.