

Universal control- and safety isolating- resp. isolating transformer **STU 500/24**



Picture shows STU 160/24

Advantages

Universal input voltages 210 to 540 Vac
Very good switch-on behaviour thanks to reduced starting currents
High power density due to a compact construction design
Very good corrosion protection and low noise thanks to BLOCK IMPEX vacuum impregnation
Contact protected screw connection terminals complying with UVV BGV A3
Simple mounting thanks to robust metal footplate with oval slots

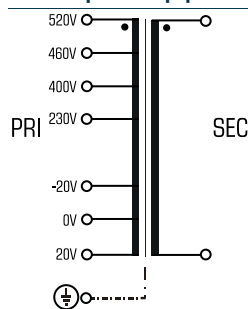
Applications

As a control transformer for the electrical isolation of the input and output sides. The construction of the transformer is designed to supply control systems according to EN 60204.

As an isolating transformer for the safe electrical isolation of the input and output sides. The transformer may be used to set up protective separation as a protective measure in accordance with VDE 0100.

As a safety isolating transformer for the safe electrical isolation of the input and output sides. The transformer is suitable for creating SELV and PELV circuits because of the limit on the output voltage.

Sample application



Standards

Safety isolating transformer
to: VDE 0570 Part 2-6, DIN EN 61558-2-6, EN 61558-2-6, IEC 61558-2-6,
UL 5085-1/-2, CSA 22.2 No.66

Approvals



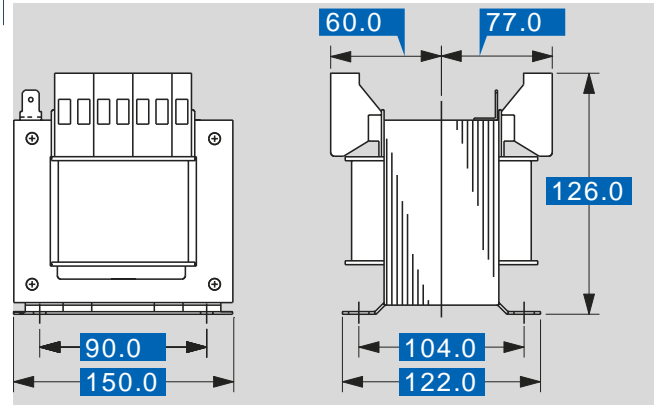
VDE, UL 5085-1/-2, CSA 22.2 No.66



Universal control- and safety isolating- resp. isolating transformer STU 500/24

Type		STU 500/24
Electrical data	Input	210 Vac/230 Vac/250 Vac/ 380 Vac/400 Vac/420 Vac/ 440 Vac/460 Vac/480 Vac/ 500 Vac/520 Vac/540 Vac
	Rated input voltage	
	Rated frequency	50 - 60 Hz
	Output	
	Rated output voltage	24 Vac
	Rated power VDE (DB cos phi=1)	500 VA
	Rated power VDE (KB cos phi=0.5)	1,370 VA
	No-load voltage (app. x factor)	1.05
	Efficiency	91.0 %
	UL Derating	400 VA
Standards		
Classification		
Approvals		
Approvals		cURus, VDE
Environment		
Ambient temperature max.		40 °C
Type of cooling		self-cooling
Safety and protection		
Type		Open type
Insulation class		VDE=B, UL=class 105
Protection index		IP 00
Safety class (prepared)		I
Short circuit strength		non-short-circuit proof
PRI Fusing recommendation by circuit breaker with tripping characteristic type 20 x Irated related to set)		
Setting range 230 ±20 Vac		1.60 - 2.50 A
Setting value 230 ±20 Vac		2.30 A
Setting range 400 ±20 Vac		1.00 - 1.60 A
Setting value 400 ±20 Vac		1.40 A
Setting range 460 ±20 Vac		1.00 - 1.60 A
Setting value 460 ±20 Vac		1.20 A
Setting range 520 ±20 Vac		1.00 - 1.60 A
Setting value 520 ±20 Vac		1.00 A
Order numbers		
Order Number		STU 500/24

Type		STU 500/24
Mechanical data	Terminal and mounting	
	Fixing method	Base plate
	Fixing screws	M5
	Terminals Input	Screw clamp, 4 mm ²
	Terminals Output	Screw clamp, 4 mm ²
Terminals PE	Tab connector, 6.3 x 0.8 mm	
Measures and weights		
Weight		7.0 kg



Subject to change.